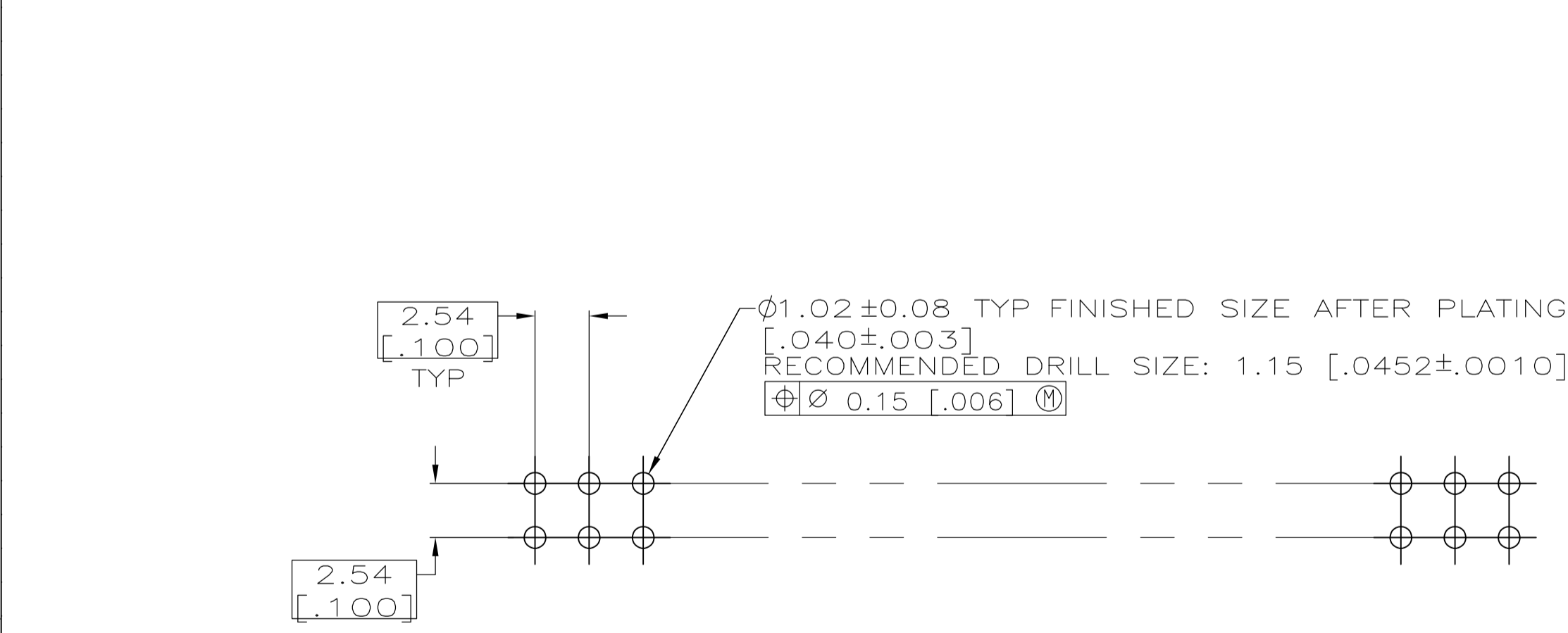
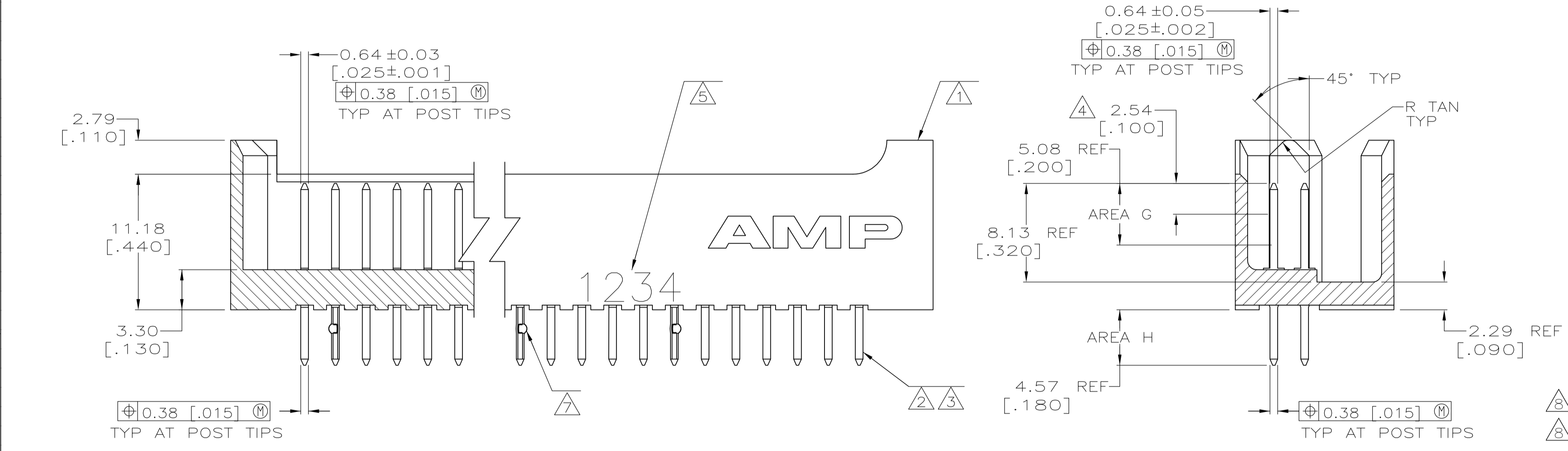
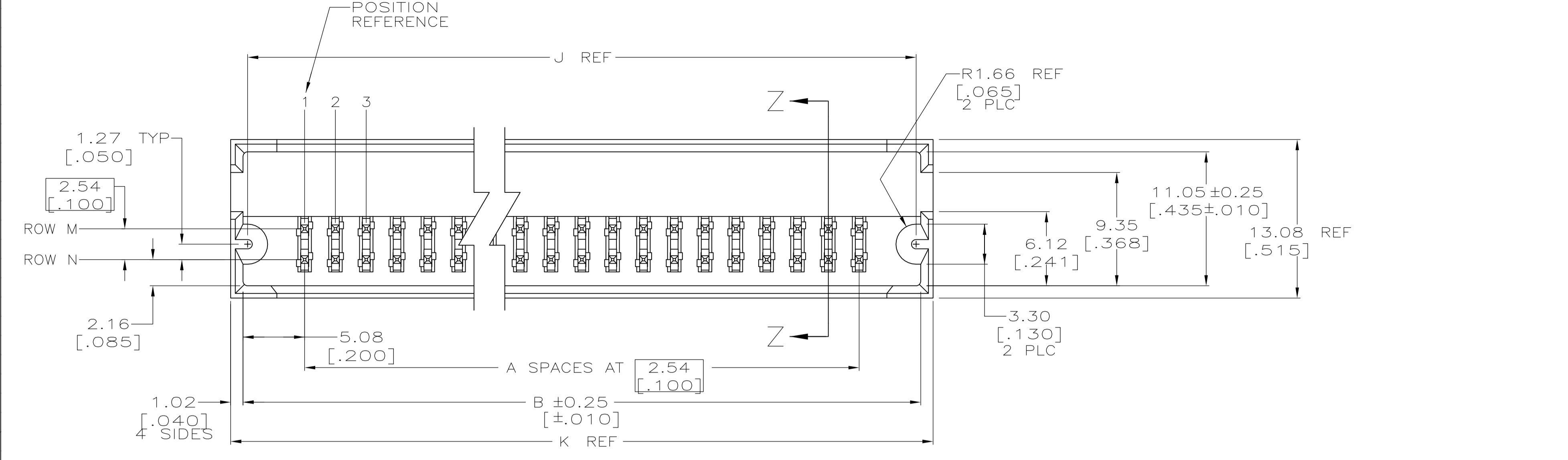


LOC		DIST		REVISIONS			
F	LTR	DESCRIPTION	DATE	DMN	APVD		
N4	REVISED PER	ECO-11-004820	11MAR11	RK	HMR		



- ① HOUSING: FLAME RETARDANT THERMOPLASTIC; COLOR: BLACK.
- ② POST: COPPER ALLOY.
- ③ POST FINISH: 0.00076 [.000030] GOLD IN AREA G, 0.00254-0.00508 [.000100-.000200] BRIGHT TIN-LEAD IN AREA H, ALL OVER 0.00127 [.000050] NICKEL.
- ④ POINT OF MEASUREMENT FOR PLATING THICKNESS.
- ⑤ RECESSED DATE CODE.
- ⑥ CSA LOGO HOT STAMPED WHITE ON HOUSING.
- ⑦ BOARD RETENTION WHERE INDICATED.
- ⑧ PRELIMINARY PART - NOT RELEASED FOR PRODUCTION
- ⑨ POST FINISH: 0.00076 [.000030] GOLD IN AREA G, 0.00254-0.00508 [.000100-.000200] MATTE TIN IN AREA H, ALL OVER 0.00127 [.000050] NICKEL.
- ⑩ ROHS 2002/95/EC COMPLIANT
- ⑪ OBSOLETE PARTS: OBSOLETE CIS STREAMLINING PER D.RENAUD/D.SINISI

1, 4	1, 4	19.81	17.02	17.78	3	8	⑩ ⑪	7-534978-1
1,3	1,3	17.27	14.48	15.24	2	6	⑩ ⑪	7-534978-0
2,22,43,64	2,22,43,64	174.75	171.96	172.72	64	130	⑩ ⑪	6-534978-9
2,17,33,39	2,17,33,39	136.65	133.86	134.62	49	100	⑩ ⑪	6-534978-8
2, 24, 47	2, 24, 47	131.57	128.78	129.54	47	96	⑩ ⑪	6-534978-7
2, 3, 4	2, 3, 4	24.89	22.10	22.86	5	12	⑩ ⑪	6-534978-6
2, 18, 34	2, 18, 34	98.55	95.76	96.52	34	70	⑩	6-534978-5
2, 23, 47, 69	2, 23, 47, 69	162.05	159.26	160.02	69	140	⑩ ⑪	6-534978-4
2, 20, 40, 59	2, 20, 40, 59	162.05	159.26	160.02	59	120	⑩ ⑪	6-534978-3
2, 18, 37, 54	2, 18, 37, 54	149.35	146.56	147.32	54	110	⑩	6-534978-2
2, 20, 39	2, 20, 39	111.25	108.46	109.22	39	80	⑩	6-534978-1
2, 18, 35	2, 18, 35	101.09	98.30	99.06	35	72	⑩	6-534978-0
2, 15, 29	2, 15, 29	85.85	83.06	83.82	29	60	⑩	5-534978-9
8, 13, 18	8, 13, 18	73.15	70.36	71.12	24	50	⑩	5-534978-8
5, 10, 15	5, 10, 15	60.45	57.66	58.42	19	40	⑩	5-534978-7
4, 9, 14	4, 9, 14	55.37	52.58	53.34	17	36	⑩	5-534978-6
3, 8, 13	3, 8, 13	47.75	44.96	45.72	14	30	⑩	5-534978-5
5, 6, 7	5, 6, 7	40.13	37.34	38.10	11	24	⑩	5-534978-4
4, 5, 6	4, 5, 6	35.05	32.26	33.02	9	20	⑩	5-534978-3
3, 4, 5	3, 4, 5	29.97	27.18	27.94	7	16	⑩	5-534978-2
2, 33, 67, 99	2, 33, 67, 99	263.65	260.86	261.62	99	200	⑪	5-534978-1
1, 4	1, 4	19.81	17.02	17.78	3	8		2-534978-1
1,3	1,3	17.27	14.48	15.24	2	6		2-534978-0
2,22,43,64	2,22,43,64	174.75	171.96	172.72	64	130	⑪	1-534978-9
2,17,33,39	2,17,33,39	136.65	133.86	134.62	49	100	⑪	1-534978-8
2, 24, 47	2, 24, 47	131.57	128.78	129.54	47	96	⑪	1-534978-7
2, 3, 4	2, 3, 4	24.89	22.10	22.86	5	12	⑪	1-534978-6
2, 18, 34	2, 18, 34	98.55	95.76	96.52	34	70		1-534978-5
2, 23, 47, 69	2, 23, 47, 69	162.05	159.26	160.02	69	140		1-534978-4
2, 20, 40, 59	2, 20, 40, 59	162.05	159.26	160.02	59	120	⑪	1-534978-3
2, 18, 37, 54	2, 18, 37, 54	149.35	146.56	147.32	54	110		1-534978-2
2, 20, 39	2, 20, 39	111.25	108.46	109.22	39	80		1-534978-1
2, 18, 35	2, 18, 35	101.09	98.30	99.06	35	72		1-534978-0
2, 15, 29	2, 15, 29	85.85	83.06	83.82	29	60		534978-9
8, 13, 18	8, 13, 18	73.15	70.36	71.12	24	50		534978-8
5, 10, 15	5, 10, 15	60.45	57.66	58.42	19	40		534978-7
4, 9, 14	4, 9, 14	55.37	52.58	53.34	17	36		534978-6
3, 8, 13	3, 8, 13	47.75	44.96	45.72	14	30		534978-5
5, 6, 7	5, 6, 7	40.13	37.34	38.10	11	24		534978-4
4, 5, 6	4, 5, 6	35.05	32.26	33.02	9	20		534978-3
3, 4, 5	3, 4, 5	29.97	27.18	27.94	7	16		534978-2
2, 33, 67, 99	2, 33, 67, 99	263.65	260.86	261.62	99	200	⑪	534978-1
FINISH	ROW M	ROW N	K	J	B	A	NO OF POSN	PART NUMBER
	BOARD RETENTION LOCATION							

OBSOLETE

THIS DRAWING IS A CONTROLLED DOCUMENT.

DIMENSIONS: INCHES	TOLERANCES UNLESS OTHERWISE SPECIFIED:	DIN K.L.CLOUSER/UTA 4/8/91	CHK D SARVER 6/19/91
0 PLC ± -	1 PLC ± -	2 PLC ± 0.13 [.005]	3 PLC ± -
4 PLC ± -	ANGLES ± -	APVD	NAME
MATERIAL	FINISH SEE TABLE	WEIGHT	SCALE
CUSTOMER DRAWING		SIZE	DRAWING NO
A1		00779	534978
SHEET 1 OF 1		REV N4	

STE TE Connectivity

HEADER ASSY, MOD II, DOUBLE ROW, 2.54 X 2.54 [.100 X .100] CL, 0.64 [.025] SQUARE POST, BOARD RETENTION FEATURE